



INDUSTRIAL  
PLCS



ELECTRO-  
MEDICAL  
DEVICES



TELECOM-  
MUNICATI  
ON DEVICES



INDUSTRIAL  
PROCESSES

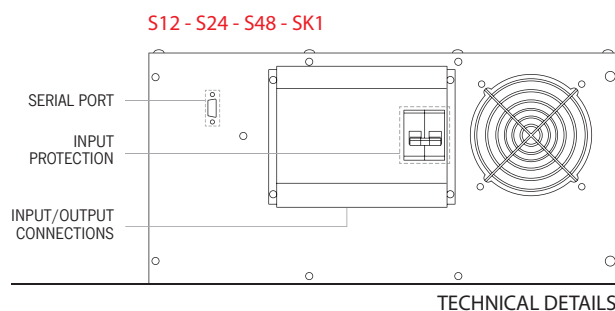
# Sinux Inverters

Sinux Inverters



**SINUX** is a range of 12/24/48/110 Vdc **INVERTERS** with a 230 Vac 50Hz sinewave output.

The output is galvanically isolated thanks to a built in transformer. The inverters are very efficient and have a wide input voltage window, that allows them to be used directly with photovoltaic (solar) panels.



## CHARACTERISTICS

- Standard galvanic isolation: the system has a built in transformer to ensure galvanic isolation.
- Wide input voltage range: the inverters have a wide input range and are compatible with photovoltaic systems and do not require extra regulation hardware
- Full diagnostics: the inverters provide both visual and audible status and diagnostic information
- Built-in protection. Protection includes: over and under voltage, reverse polarity, overloads, short circuits and over temperature
- Automatic restart: the inverters auto restart when the alarm condition is resolved
- Optional bypass
- Optional LCD display
- Dry contacts interface board:
  - **standard:** dc voltage present; dc voltage low
  - **optional:** overload; inverter fault; overtemperature
- Special versions available on request
- Compatible options available on request

MODELS	POWER (W)	INPUT		OUTPUT		ENVIRONMENTAL		AVAILABLE OPTIONS				
		Rated voltage	Voltage range	Output current (A)	Overload (W) for 5"	Weight (kg)	Dimensions (hwd) (mm)	By-pass	LCD Display	Remote contacts		
<b>SINUX INVERTERS S12 (12 Vdc input)</b>												
S12 120	115	12 V	10.2 - 18 V	0.5	300	13	4U x 19" x 410		•	•		
S12 160	161			0.7	400	15			•	•		
S12 350	345			1.5	600	30			•	•		
S12 460	460			2	800	32	4U x 19" x 510		•	•		
S12 580	575			2.5	1000	35			•	•		
S12 690	690			3	1200	40	5U x 19" x 510		•	•		
S12 800	805			3.5	1400	45			•	•		
<b>SINUX INVERTERS S24 (24 Vdc input)</b>												
S24 030	30	24 V	19 - 43 V	0.13	50	3	2U x 19" x 160					
S24 230	230			1	600	13	4U x 19" x 410	•	•	•		
S24 320	322			1.4	800	15			•	•	•	
S24 530	529			2.3	1000	19			•	•	•	
S24 780	782			3.4	1200	30			•	•	•	
S24 920	920			4	1600	32	4U x 19" x 510	•	•	•		
S24 1K1	1150			5	2000	35			•	•	•	
S24 1K4	1380			6	2500	40	5U x 19" x 510	•	•	•		
S24 1K6	1610			7	2800	45			•	•	•	
S24 1K8	1840			8	3000	52			•	•	•	
S24 2K7	2760			12	4000	60			•	•	•	
S24 3K6	3680			16	5000	72	5U x 19" x 710	•	•	•		
S24 4K1	4140			18	6000	80			•	•	•	
<b>SINUX INVERTERS S48 (48 Vdc input)</b>												
S48 030	30			48 V	39 - 60 V	0.13	50	3	2U x 19" x 160			
S48 100	100					0.45	130	3.5				
S48 150	150	0.65	230			4	4U x 19" x 410	•	•	•		
S48 320	322	1.4	800			13			•	•	•	
S48 460	460	2	1000			15			•	•	•	
S48 690	690	3	1200			19			•	•	•	
S48 920	920	4	1500			30	4U x 19" x 510	•	•	•		
S48 1K1	1150	5	2000			32			•	•	•	
S48 1K4	1380	6	2500		35	5U x 19" x 510	•	•	•			
S48 1K7	1725	7.5	3500		40			•	•	•		
S48 2K0	2070	9	4000		45			•	•	•		
S48 2K5	2530	11	4500		52			•	•	•		
S48 3K4	3450	15	6000		60	5U x 19" x 710	•	•	•			
S48 4K1	4140	18	7000		66			•	•	•		
S48 5K0	5060	22	8000		72			•	•	•		
S48 6K2	6210	27	9000		78			•	•	•		
S48 6K9	6900	30	10000		83		•	•	•			
<b>SINUX INVERTERS SK1 (110 Vdc input)</b>												
SK1 030	30	110 V	88 - 145 V		0.13	50	3.5	2U x 19" x 160				
SK1 100	104				0.45	130	4					
SK1 150	150			0.65	180	4	4U x 19" x 410	•	•	•		
SK1 320	322			1.4	800	13			•	•	•	
SK1 460	460			2	1000	15			•	•	•	
SK1 690	690			3	1200	19			•	•	•	
SK1 920	920			4	1500	30	4U x 19" x 510	•	•	•		
SK1 1K1	1150			5	2000	32			•	•	•	
SK1 1K4	1380			6	2500	35	5U x 19" x 510	•	•	•		
SK1 1K7	1825			7.5	3500	40			•	•	•	
SK1 2K0	2070			9	4000	45			•	•	•	
SK1 2K5	2530			11	4500	50			•	•	•	
SK1 2K8	2875			12.5	5000	55	5U x 19" x 710	•	•	•		
SK1 3K5	3450			15	6000	60			•	•	•	
SK1 4K1	4140			18	7000	66			•	•	•	
SK1 5K0	5060			22	8000	72			•	•	•	
SK1 6K2	6210			27	9000	78		•	•	•		
SK1 6K9	6900			30	10000	83		•	•	•		

Product characteristics can be customised to meet client specifications.